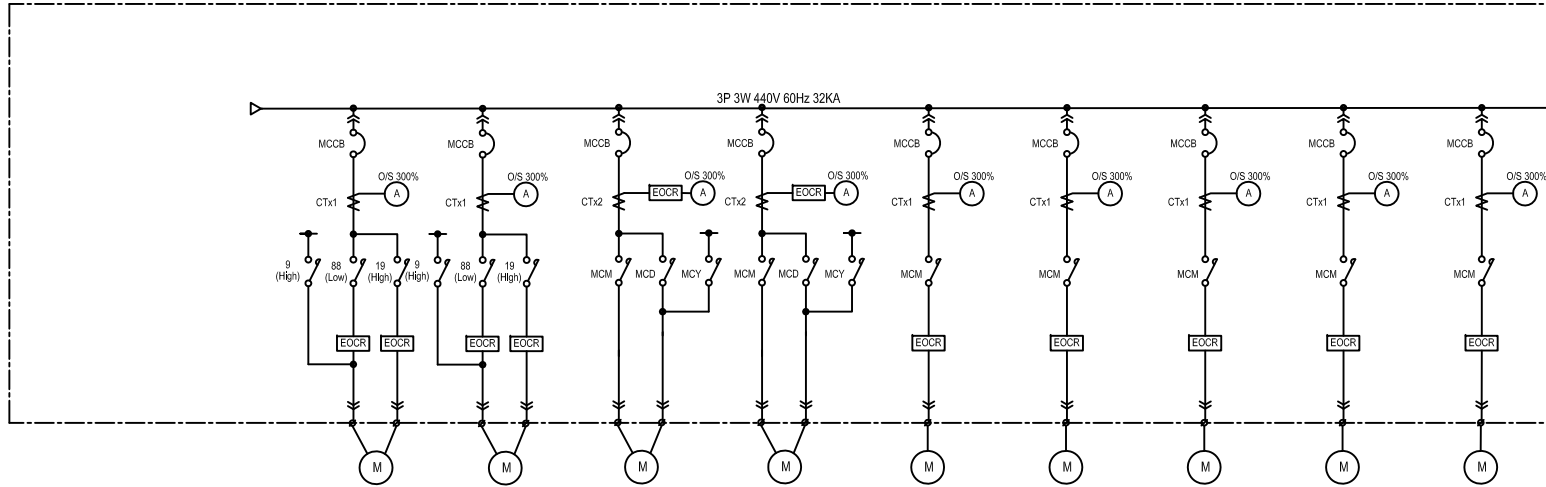
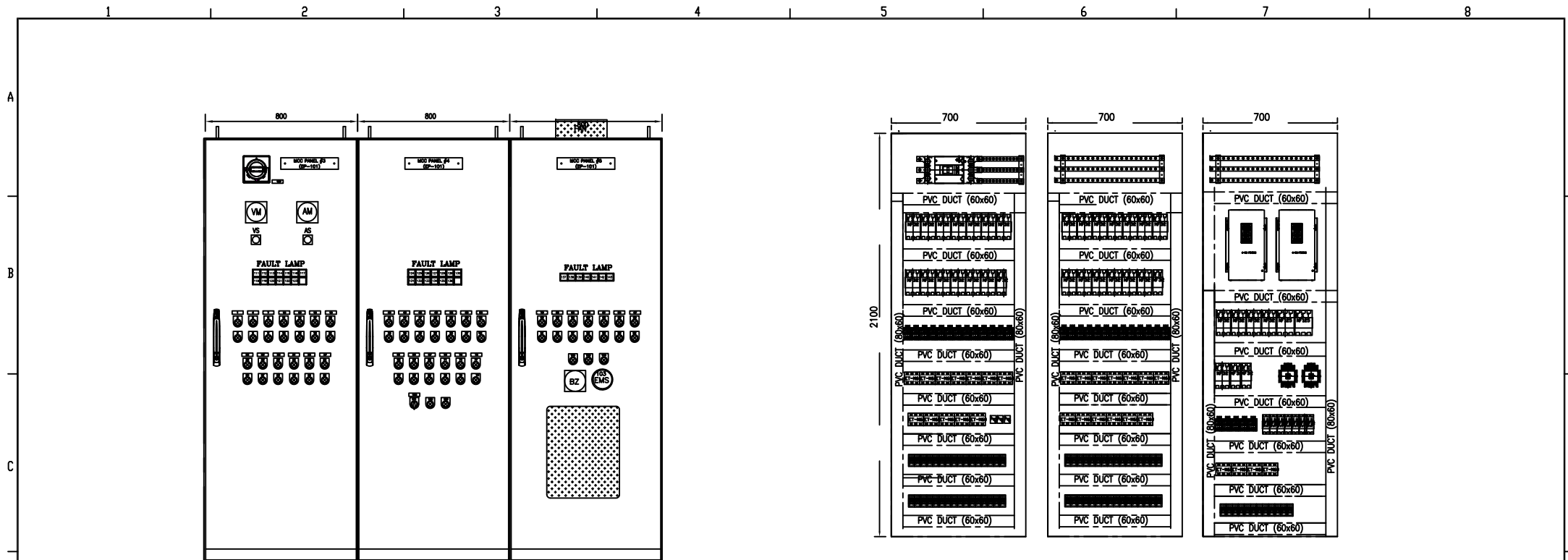


MCC - 1



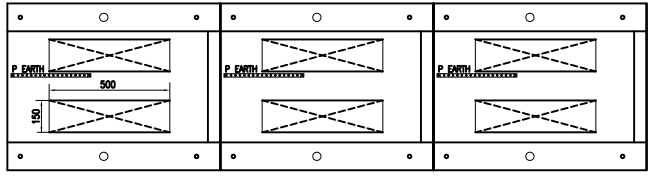
ITEM NO	MTR015	MTR016	MTR017	MTR018	MTR019	MTR020	MTR021	MTR022	MTR023
SERVICE	MOTOR 015	MOTOR 016	MOTOR 017	MOTOR 018	MOTOR 019	MOTOR 020	MOTOR 021	MOTOR 022	MOTOR 023
LOAD CAPACITY (KW)	15 / 7.5KW	15 / 7.5KW	35KW	35KW	7.5KW	7.5KW	7.5KW	7.5KW	7.5KW
MCCB AF/AT	T2N160 MA52	T2N160 MA52	T2N160 MA100	T2N160 MA100	T2N160 MA32	T2N160 MA32	T2N160 MA32	T2N160 MA32	T2N160 MA32
MAGNETIC CONTACTOR	MCM(86.Low)	A16	A40	A40	A16	A16	A16	A16	A16
	MCD(19.High)	A30	A30	A50	A50				
	MCY(9.High)	A16	A16	A26	A26				
Dz/Fuse	BKM 2A	BKM 2A	BKM 2A	BKM 2A	BKM 2A	BKM 2A	BKM 2A	BKM 2A	BKM 2A
EOCR	EOCR-SS80, 30	EOCR-SS80, 30	EOCR-SS05	EOCR-SS05	EOCR-SS30	EOCR-SS30	EOCR-SS30	EOCR-SS30	EOCR-SS30
CT	50/5A	50/5A	100/5A x2	100/5A x2	30/5A	30/5A	30/5A	30/5A	30/5A
AM	0-50-150A	0-50-150A	0-100-300A	0-100-300A	0-30-90A	0-30-90A	0-30-90A	0-30-90A	0-30-90A
POWER TB (A)	3P 60A X 2	3P 60A X 2	3P 100A X 2	3P 100A X 2	3P 30A	3P 30A	3P 30A	3P 30A	3P 30A
POWER WIRE (Sq)	10x2	10x2	35x2	35x2	6	6	6	6	6
ON DELAY TIMER	1	1	2	2	-	-	-	-	-
PBL / PL	1/2	1/2	1/2	1/2	1/2	1/2	1/2	1/2	1/2
Aux Relay(MY4 4e4b)	5	5	3	2	3	3	3	3	3
SEQUENCE TYPE	A-1	A-1	B-1		C6	C6	C6	C6	C6
DOOR TYPE	A	A	A	C	D	D	D	D	D
LOP									
UNIT NO	MCC-1-6R-2	MCC-1-6R-3	MCC-1-6R-1	MCC-1-6R-2	MCC-1-6R-3	MCC-1-6R-4	MCC-1-6R-5	MCC-1-4R-1	MCC-1-4R-2

REV.	DATE	DRN	CHKD	APPR	DESCRIPTION
DRAWN					
PROJECT					
 (주)호원아이앤씨 HWM Instrument & Control Co., Ltd.					
PROJECT					
JOB NO.	-	TITLE			
DRAWN	S.Y.SUN	MCC PANEL			
CHECKED	JUNLEE	SINGLE LINE DIAGRAM			
APPROVED	Y.B.YOO				
SCALE	DATE DRAWN	DATE DESG.			
N/A	May/16/16				
TECHNICAL NO.	CLEARING NO.				



FRONT VIEW

FRONT INNER VIEW



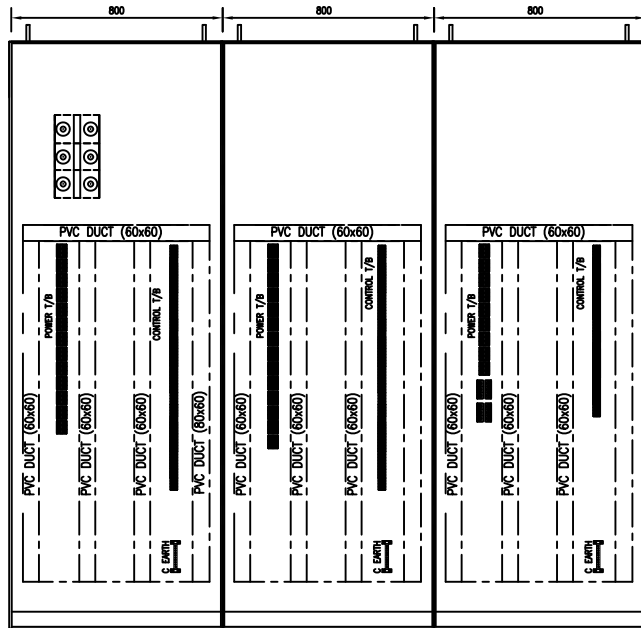
BUTTON VIEW

- * REMARKS**
1. PANEL DIMENSION : 800W*800D*2300H
 2. BASE SIZE : 100*50 CHANNEL
 3. TYPE : SELF STANDING
 4. MATERIAL : STEEL
 5. PAINTING : RAL 7035
 6. HANDLE TYPE : TS8611.290
 7. ISOLATOR DOOR LOCKING PANEL : RITTAL
Adjacent door cannot be opened until the main door has been opened.

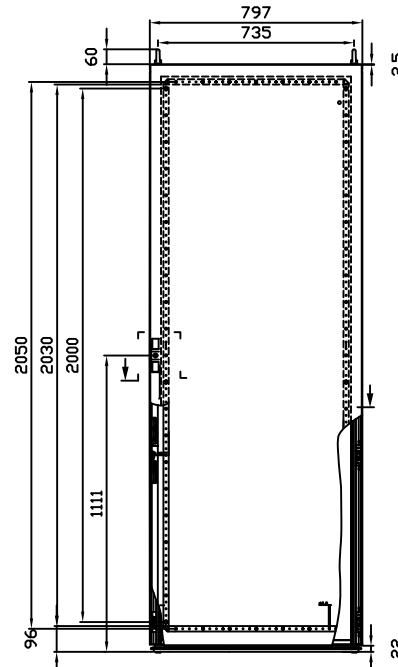
△						CUSTOMER
△						
△	13.11.07	A.F.C				PROJECT
△	13.09.09	A.F.D				
NO.	DATE	REVISIONS	DRAWN BY	DESIGNED BY	CHECKED BY	


(주) 호원아이엔씨
 HOWON Instrument & control Co., Ltd.

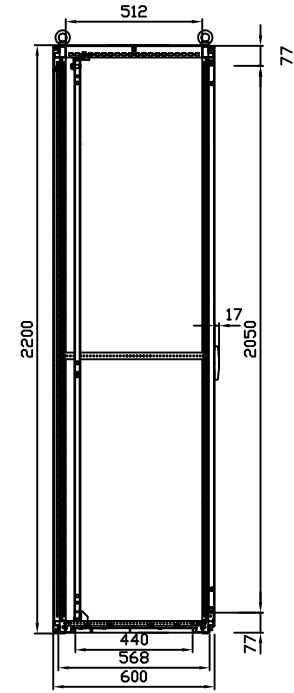
TITLE		MCC-2 PANEL LAYOUT		SCALE	1/1
DWG No.		SHEET No.		DATE	
				CONT. No.	



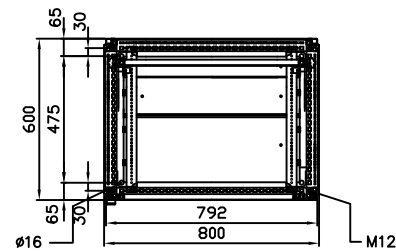
REAR VIEW



FRONT INNER VIEW



SIDE VIEW

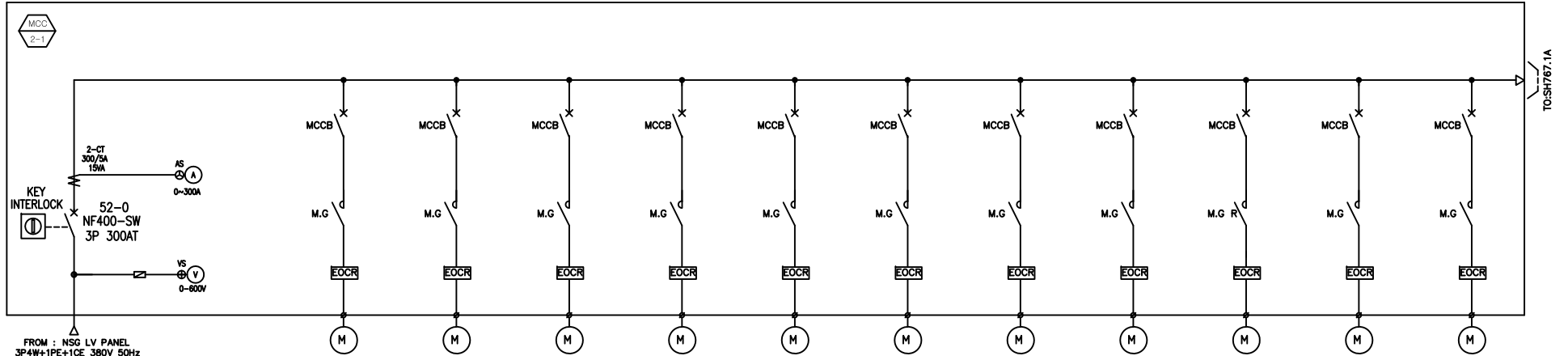


BOTTOM VIEW

△						
△						
△	13.11.07	A.F.C				
△	13.09.09	A.F.D				
NO.	DATE	REVISIONS	DRAWN BY	DESIGNED BY	CHECKED BY	

CUSTOMER	 (주) 호원아이엔씨 HOWON Instrument & control Co., Ltd.
PROJECT	

TITLE	MCC-2 PANEL LAYOUT		SCALE	1/1
DWG No.		SHEET No.		CONT. No.



FROM : NSG LV PANEL
 3P4W+1PE+1CE 380V 50Hz
 TFR-CV 3-1C/150sq
 TFR-GV 1-1C/70sq
 TFR-GV 1-1C/35sq

ITEM NO	SC - 111	SC - 112	SC - 113	RV - 111	RV - 112	RV - 113	GD - 101	GD - 102T	GD - 102B	GD - 103T	GD - 103B
SERVICE	EP FIELD1 SCREW CONVEYOR	EP FIELD2 SCREW CONVEYOR	EP FIELD3 SCREW CONVEYOR	EP FIELD1 ROTARY VALVE	EP FIELD2 ROTARY VALVE	EP FIELD3 ROTARY VALVE	GDW1 LAYER RAPPER	GDW2 LAYER RAPPER	GDW2 LAYER RAPPER	OUTLET GDW RAPPER	OUTLET GDW RAPPER
LOAD CAPACITY (KW)	2.2	2.2	2.2	0.75	0.75	0.75	0.2	0.2	0.2	0.2	0.2
MCCB AF/AT	NF32-SV 3P/10A	NF32-SV 3P/10A	NF32-SV 3P/10A	NF32-SV 3P/10A	NF32-SV 3P/10A	NF32-SV 3P/10A	NF32-SV 3P/10A	NF32-SV 3P/10A	NF32-SV 3P/10A	NF32-SV 3P/10A	NF32-SV 3P/10A
MAGNETIC CONTACTOR	MCM (8B)	S - N12	S - N12	S - N12	S - N12	S - N12	S - N12	S - N12	S - N12	S - N12	S - N12
	MCD (8B)										
	MCY (8B)										
EOCR	ET - N60 4A	ET - N60 4A	ET - N60 4A	ET - N60 4A	ET - N60 4A	ET - N60 4A	ET - N60 4A	ET - N60 4A	ET - N60 4A	ET - N60 4A	ET - N60 4A
CT											
AM											
POWER TB (A)	3P 30A	3P 30A	3P 30A	3P 30A	3P 30A	3P 30A	3P 30A	3P 30A	3P 30A	3P 30A	3P 30A
POWER WIRE (Sq)	4	4	4	4	4	4	4	4	4	4	4
CONDENSER(UF)											
PBL / PL(S/S)	3 / (1)	3 / (1)	3 / (1)	3 / (1)	3 / (1)	3 / (1)	3 / (1)	3 / (1)	3 / (1)	3 / (1)	3 / (1)
Aux Relay (G2A-434A-N 4a4b)	2	2	2	2	2	2	2	2	2	2	2
SEQUENCE TYPE											
DOOR TYPE											
LDP PANEL TYPE											
OTHER'S											
REMARK	1) MCCB : MITSUBISHI 2) MAGNETIC CONTACTOR : MITSUBISHI 3) EOCR : MITSUBISHI 4) RELAY : DMRON 5) MISCELLANEOUS : MADE IN KOREA(KE Certi)										

△						
△						
△	13.11.07					
△	13.09.09					
NO.	DATE	REVISIONS	DRAWN BY	DESIGNED BY	CHECKED BY	

CUSTOMER

HOWON (주) 호원아이엔씨
 HOWON Instrument & control Co., Ltd.

PROJECT

TITLE

MCC-2 PANEL
 SINGAL LINE 1

SCALE 1/1

DATE

DWG No.

SHEET No.

CONT. No.